

IDS-7200HUHI-M1/S SERIES TURBO ACUSENSE DVR

Key Feature

- Deep learning-based motion detection 2.0 for all analog channels
- Deep learning-based perimeter protection
- H.265 Pro+/H.265 Pro/H.265/H.264+/H.264 video compression
- HDTVI/AHD/CVI/CVBS/IP video inputs
- Audio via coaxial cable
- Up to 8/16-ch IP camera inputs (up to 8 MP)
- Up to 10 TB capacity per HDD



Compression and Recording

- H.265 Pro+ can be enabled to improve encoding efficiency and reduce data storage costs
- Recording at up to 8 MP resolution

Storage and Playback

- Smart search for efficient playback
- Support the third party cloud storage

Smart Function

- Deep learning-based motion detection, and perimeter protection (line crossing and intrusion detection)
- Support multiple VCA (Video Content Analytics) events for both analog and smart IP cameras

Network & Ethernet Access

- Compatible with major Wi-Fi dongle products in the market
- Hik-Connect & DDNS (Dynamic Domain Name System) for easy network management
- Output bandwidth limit configurable



Specification

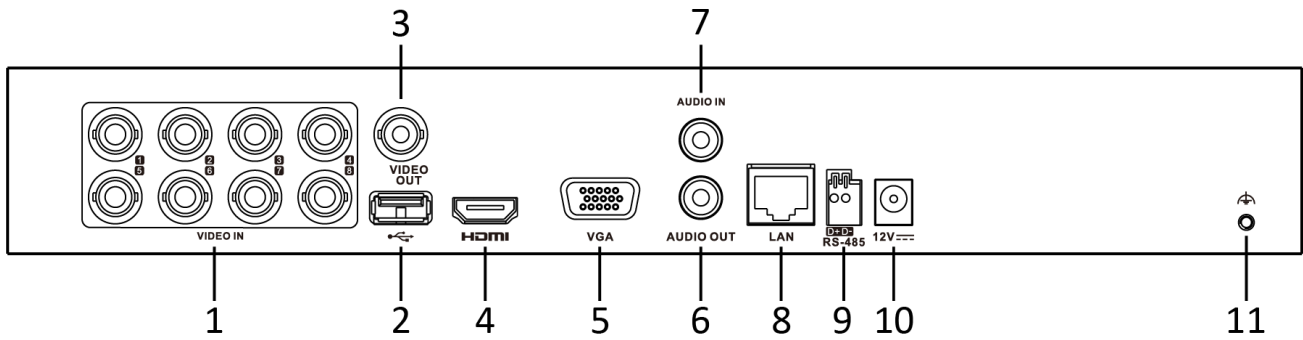
Model	iDS-7204HUHI-M1/S	iDS-7208HUHI-M1/S
Motion Detection 2.0¹		
Human/Vehicle Analysis	Deep learning-based motion detection 2.0 is enabled by default for all analog channels, it can classify human and vehicle, and extremely reduce false alarms caused by objects like leaves and lights; Quick search by object or event type is supported;	
Perimeter Protection¹		
Human/Vehicle Analysis	Up to 4-ch	
Recording		
Video compression	H.265 Pro+/H.265 Pro/H.265/H.264+/H.264	
Encoding resolution	Main stream: 8 MP@8 fps/5 MP@12 fps/3K@12 fps/4 MP@15 fps/8 MP Lite@15 fps/3 MP@18 fps 1080p/720p/WD1/4CIF/VGA/CIF@25 fps (P)/30 fps (N) *: 8 MP@8 fps is only available for channel 1, 8 MP Lite is only available for channel 2 to channel 4.	Main stream: 8 MP@8 fps/5 MP@12 fps/3K@12 fps/4 MP@15 fps/3 MP@18 fps 1080p/720p/WD1/4CIF/VGA/CIF@25 fps (P)/30 fps (N)
	Sub-stream: WD1/4CIF/CIF@25 fps (P)/30 fps (N)	
Video bitrate	32 Kbps to 10 Mbps	
Dual stream	Support	
Stream type	Video, Video & Audio	
Audio compression	G.711u	
Audio bitrate	64 Kbps	
Video and Audio		
IP video input²	2-ch (up to 6-ch)	4-ch (up to 12-ch)
	Enhanced IP mode on: 4-ch (up to 8-ch), each up to 4 Mbps	Enhanced IP mode on: 8-ch (up to 16-ch), each up to 4 Mbps
	Up to 8 MP resolution Support H.265+/H.265/H.264+/H.264 IP cameras	
Analog video input	4-ch	8-ch
	BNC interface (1.0 Vp-p, 75 Ω), supporting coaxitron connection	
HDTVI input	8 MP@15 fps, 5 MP@20 fps, 3K@20 fps, 4 MP@30 fps, 4 MP@25 fps, 3 MP@18 fps, 1080p30, 1080p@25 fps, 720p@60 fps, 720p@50 fps, 720p@30 fps, 720p@25 fps	8 MP@15 fps, 5 MP@20 fps, 3K@20 fps, 4 MP@30 fps, 4 MP@25 fps, 3 MP@18 fps, 1080p@30 fps, 1080p@25 fps, 720p@60 fps, 720p@50 fps, 720p@30 fps, 720p@25 fps
AHD input	5 MP@20 fps, 4 MP@25 fps, 4 MP@30 fps, 1080p@25 fps, 1080p@30 fps, 720p@25 fps, 720p@30 fps	
HDCVI input	5 MP@20 fps, 4 MP@25 fps, 4 MP@30 fps, 1080p@25 fps, 1080p@30 fps, 720p@25 fps, 720p@30 fps	

CVBS input	PAL/NTSC	
CVBS output	1-ch, BNC (1.0 Vp-p, 75 Ω), resolution: PAL: 704 × 576, NTSC: 704 × 480	
VGA output	1-ch, 1920 × 1080/60Hz, 1280 × 1024/60Hz, 1280 × 720/60Hz, 1024 × 768/60Hz	1-ch, 1920 × 1080/60Hz, 1280 × 1024/60Hz, 1280 × 720/60Hz, 1024 × 768/60Hz
HDMI output	1-ch, 2K (2560 × 1440)/60Hz, 1920 × 1080/60Hz, 1280 × 1024/60Hz, 1280 × 720/60Hz, 1024 × 768/60Hz	1-ch, 4K (3840 × 2160)/30Hz, 2K (2560 × 1440)/60Hz, 1920 × 1080/60Hz, 1280 × 1024/60Hz, 1280 × 720/60Hz, 1024 × 768/60Hz
Video output mode	HDMI/VGA simultaneous output	
Audio input³	1-ch (up to 4-ch is optional), RCA (2.0 Vp-p, 1 KΩ)	1-ch (up to 8-ch is optional), RCA (2.0 Vp-p, 1 KΩ)
	4-ch via coaxial cable	8-ch via coaxial cable
Audio output	1-ch, RCA (Linear, 1 KΩ)	
Two-way audio	1-ch, RCA (2.0 Vp-p, 1 KΩ) (using the audio input)	
Synchronous playback	4-ch	8-ch
Network		
Remote connections	32	64
Network protocols	TCP/IP, PPPoE, DHCP, Hik-Connect, DNS, DDNS, NTP, SADP, NFS, iSCSI, UPnP™, HTTPS, ONVIF	
Network interface	1, RJ45 10/100 Mbps self-adaptive Ethernet interface	1, RJ45 10/100/1000 Mbps self-adaptive Ethernet interface
Wi-Fi	Connectable to Wi-Fi network by Wi-Fi dongle through USB interface	
Auxiliary interface		
SATA	1 SATA interface	
Capacity	Up to 10 TB capacity for each disk	
Serial interface	RS-485 (half-duplex)	
USB interface	Front panel: 1 × USB 2.0 Rear panel: 1 × USB 2.0	Front panel: 1 × USB 2.0 Rear panel: 1 × USB 3.0
Alarm in/out³	N/A (optional to support)	
General		
Power supply	12 VDC, 1.5 A	12 VDC, 2 A
Consumption (without HDD)	≤ 10 W	≤ 15 W
Working temperature	-10 °C to +55 °C (+14 °F to +131 °F)	
Working humidity	10% to 90%	
Dimension (W × D × H)	315 × 242 × 45 mm (12.4 × 9.5 × 1.8 inch)	
Weight (without HDD)	≤ 1.16 kg (2.6 lb)	≤ 2 kg (4.4 lb)

Note:

- 1: Motion detection 2.0 and perimeter protection cannot be enabled at the same time. Enable one function will make the other one unavailable.
- 2: Enhanced IP mode might be conflicted with smart events (motion detection 2.0 and perimeter protection) or other functions, please refer to the user manual for details.
- 3: The number of audio inputs and alarm in/out can be optional. The tag on the package will describe audio input and alarm in/out parameters. For example, "4A+8/4ALM" means your device has 4 audio inputs, 8 alarm inputs and 4 alarm outputs. If your device only has 1 audio input, the tag may not describe it.

Physical Interface



*: The rear panel of iDS-7204HUHI-M1/S provides 4 video input interfaces.

No.	Description	No.	Description
1	VIDEO IN	7	AUDIO IN, RCA connector
2	USB interface	8	LAN network interface
3	VIDEO OUT	9	RS-485 serial interface
4	HDMI interface	10	12 VDC power input
5	VGA interface	11	GND
6	AUDIO OUT, RCA connector		

Available Model

iDS-7204HUHI-M1/S, iDS-7208HUHI-M1/S

Distributed by



HIKVISION®

Headquarters

No.555 Qianmo Road, Binjiang District,
Hangzhou 310051, China
T +86-571-8807-5998
overseasbusiness@hikvision.com

Hikvision USA
T +1-909-895-0400
sales.usa@hikvision.com

Hikvision Australia
T +61-2-8599-4233
salesau@hikvision.com

Hikvision India
T +91-22-28469900
sales@pramahikvision.com

Hikvision Canada
T +1-866-200-6690
sales.canada@hikvision.com

Hikvision Thailand
T +662-275-9949
sales.thailand@hikvision.com

Hikvision Europe
T +31-23-5542770
sales.eu@hikvision.com

Hikvision Italy
T +39-0438-6902
info.it@hikvision.com

Hikvision Brazil
T +55 11 3318-0050
Latam.support@hikvision.com

Hikvision Turkey
T +90 (216)521 7070- 7074
sales.tr@hikvision.com

Hikvision Malaysia
T +601-7652-2413
sales.my@hikvision.com

Hikvision UK & Ireland
T +01628-902140
sales.uk@hikvision.com

Hikvision South Africa
Tel: +27 (10) 0351172
sale.africa@hikvision.com

Hikvision France
T +33(0)1-85-330-450
info.fr@hikvision.com

Hikvision Kazakhstan
T +7-727-9730667
nikia.panfilov@hikvision.ru

Hikvision Vietnam
T +84-974270888
sales.vt@hikvision.com

Hikvision UAE
T +971-4-4432090
salesme@hikvision.com

Hikvision Singapore
T +65-6684-4718
sg@hikvision.com

Hikvision Spain
T +34-91-737-16-55
info.es@hikvision.com

Hikvision Tashkent
T +99-87-1238-9438
uzb@hikvision.ru

Hikvision Hong Kong
T +852-2151-1761
info.hk@hikvision.com

Hikvision Russia
T +7-495-669-67-99
saleru@hikvision.com

Hikvision Korea
T +82-(0)31-731-8817
sales.korea@hikvision.com

Hikvision Poland
T +48-22-460-01-50
info.pl@hikvision.com

Hikvision Indonesia
T +62-21-2933759
Sales.Indonesia@hikvision.com

Hikvision Colombia
sales.colombia@hikvision.com

04280002010918



Key Features

- 5 MP high performance COMS
- 2560 × 1944 resolution
- 2.8 mm, 3.6 mm, 6 mm fixed lens
- EXIR 2.0, smart IR, up to 20 m IR distance
- OSD menu, 2D DNR, DWDR
- 4 in 1 video output (switchable TVI/AHD/CVI/CVBS)
- IP67
- Up the coax (HIKVISION-C)



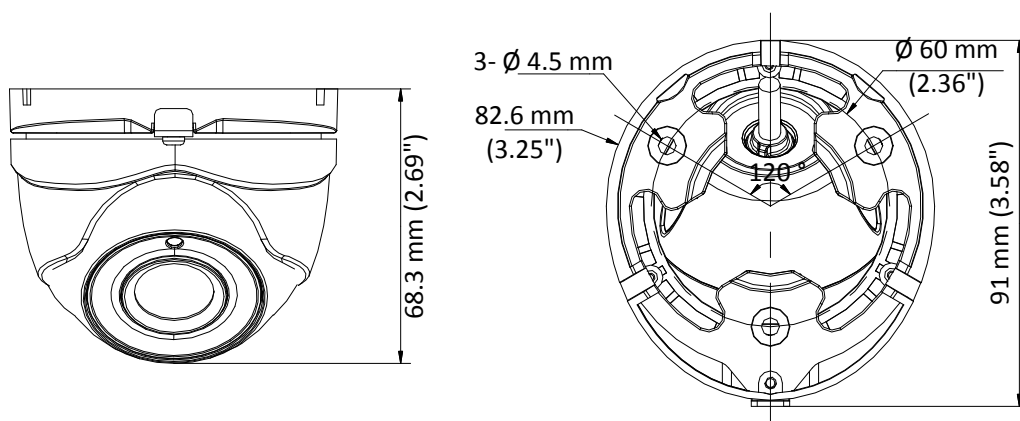
Specification

Camera	
Image Sensor	5 MP CMOS image sensor
Effective Pixels	2560 (H) × 1944 (V)
Min. Illumination	Color: 0.01 Lux @ (F1.2, AGC ON), 0 Lux with IR
Shutter Time	PAL: 1/25 s to 1/50, 000 s NTSC: 1/30 s to 1/50, 000 s
Lens	2.8 mm, 3.6 mm, 6 mm fixed Lens
Horizontal Field of View	85.5° (2.8 mm), 80.1° (3.6 mm), 57.1° (6 mm)
Lens Mount	M12
Day & Night	IR cut filter
Angle Adjustment	Pan: 0° to 360°; Tilt: 0° to 75°; Rotate: 0° to 360°
Synchronization	Internal synchronization
Frame Rate	PAL: 5 MP@20fps, 4 MP@25fps, 1080p@25fps NTSC: 5 MP@20fps, 4 MP@30fps, 1080p@30fps
Menu	
AGC	Support
D/N Mode	Auto/Color/BW (Black and White)
White Balance	ATW/MWB
BLC	Support
DWDR (Digital Wide Dynamic Range)	Support
Language	English
Functions	Brightness, Sharpness, DNR, Mirror, Smart IR
Interface	
Video Output	1 HD analog output
Switch Button	TVI/AHD/CVI/CVBS
General	
Operating Conditions	-40 °C to 60 °C (-40 °F to 140 °F), humidity: 90% or less (non-condensation)
Power Supply	12 VDC ±25%
Power Consumption	Max. 4.3 W
Protection Level	IP67
Material	Metal
IR Range	Up to 20 m
Communication	Up the coax, Protocol: HIKVISION-C (TVI output)
Dimensions	91 mm × 82.6 mm × 68.3 mm (3.58" × 3.25" × 2.69")
Weight	Approx. 350 g (0.77 lb.)

Order Model

DS-2CE56H0T-ITMF

Dimension



Accessory



DS-1272ZJ-110-TRS
Wall Mount



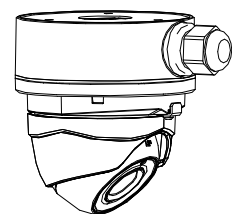
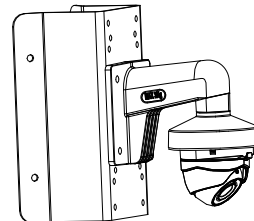
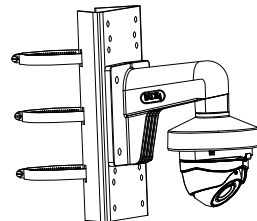
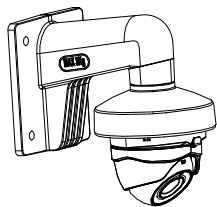
DS-1275ZJ
Vertical Pole Mount



DS-1276ZJ-SUS
Corner Mount



DS-1280ZJ-XS
Junction Box



Distributed by



HIKVISION

Headquarters

No.555 Qianmo Road, Binjiang District,
Hangzhou 310051, China
T +86-571-8807-5998
overseasbusiness@hikvision.com

Hikvision USA
T +1-909-895-0400
sales.usa@hikvision.com

Hikvision Europe
T +31-23-55-42-770
info.eu@hikvision.com

Hikvision Middle East
T +971-4-8816086
salesme@hikvision.com

Hikvision Russia
T +7-495-669-67-99
saleru@hikvision.com

Hikvision India
T +91-22-28469900
sales@pramahikvision.com

Hikvision Italy
T +39-0438-6902
info.it@hikvision.com

Hikvision France
T +33(0)1-85-330-450
info.fr@hikvision.com

Hikvision Spain
T +34-91-737-16-55
info.es@hikvision.com

Hikvision Poland
T +48-22-460-01-50
poland@hikvision.com

Hikvision UK
T +01628-902140
support.uk@hikvision.com

Hikvision Singapore
T +65-6684-4718
sg@hikvision.com

Hikvision Oceania
T +61-2-8599-4233
salesau@hikvision.com

Hikvision Canada
T +1-909-895-0400
sales.usa@hikvision.com

Hikvision Korea
T +82-31-731-8841
sales.korea@hikvision.com

Hikvision Brazil
T +55 11 3318-0050
Latam.support@hikvision.com

Hikvision Africa
T +27 (10) 0351172
sale.africa@hikvision.com

Hikvision Hong Kong
T +852-2151-1761